

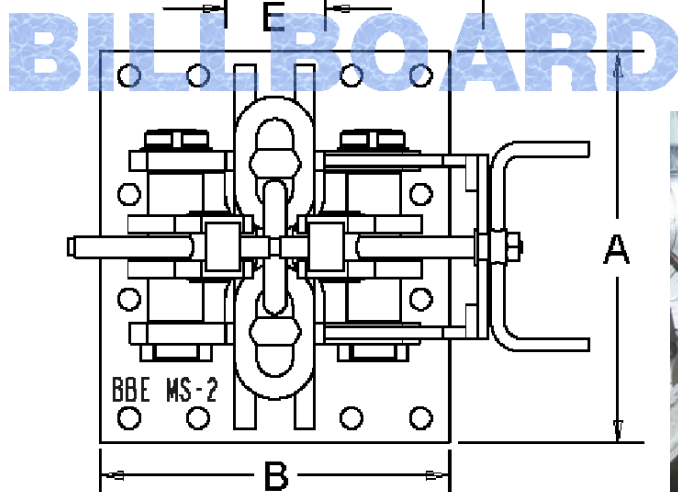
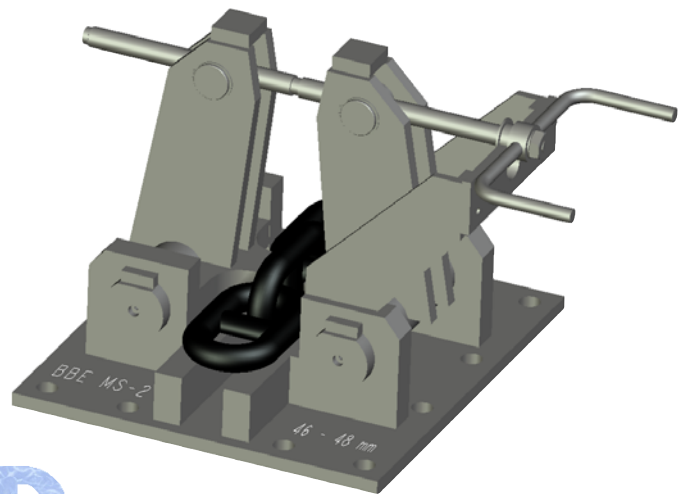
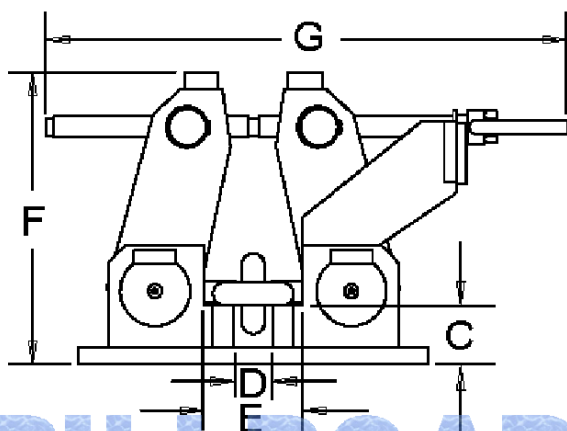
CHAIN CABLE STOPPER

CHAIN CABLE STOPPER – SCREW TYPE MS-2

Product Code: AE-0118

Nominal Dia. of Chain (mm)	Dimensions (mm)							Pull Load (KN)	
	A	B	C	D	E	F	G	Grade 2	Grade 3
22 – 26	500	450	78	50	130	400	680	312	445
28 – 32	560	500	85	55	141	420	746	466	666
34 – 36	640	520	90	62	162	504	802	586	840
38 – 40	640	530	95	65	173	508	802	717	1024
42 – 44	700	600	104	72	192	512	900	864	1232
46 – 48	760	680	115	78	210	517	1000	1016	1448
50 – 52	820	760	128	86	230	540	1080	1180	1689
54 – 56	960	820	142	90	242	640	1180	1358	1943
58 – 60	1040	860	162	96	254	668	1220	1546	2213
62 – 64	1100	900	180	102	264	692	1320	1746	2497

- Remark :
1. For Grade 2 and Grade 3 Chain.
 2. Weld or Bolt Mounted on Deck.
 3. Class A – Withstand 80% of Chain Cable Braking Load.
 4. Port and Starboard Side as request.



Pull Load Test